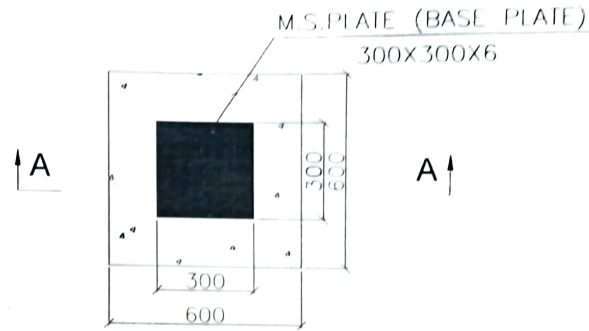
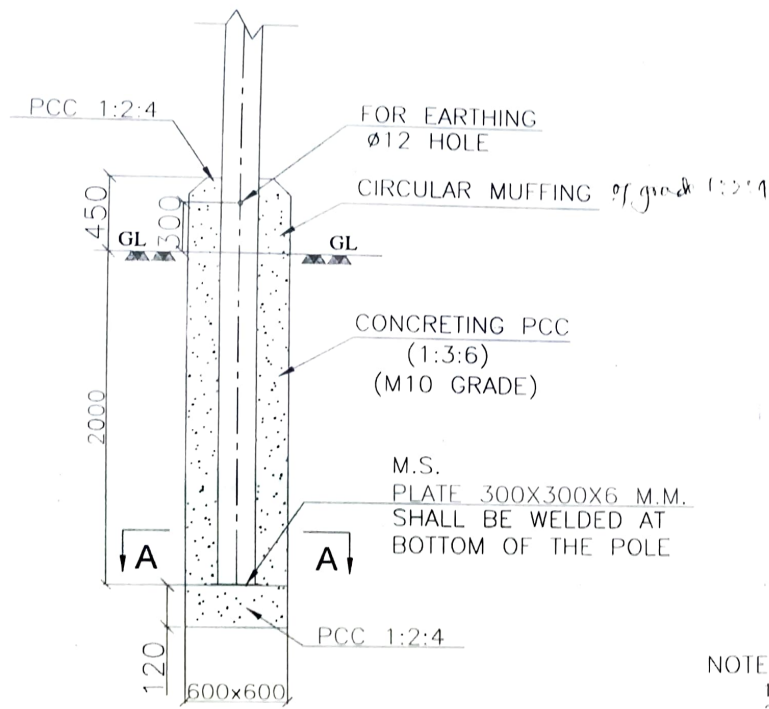


THIS DOCUMENT IS THE EXCLUSIVE PROPERTY OF TATA PROJECTS LTD. IT SHALL NOT BE COPIED OR COMMUNICATED TO A THIRD PARTY WITHOUT THE PRIOR WRITTEN PERMISSION OF THE COMPANY.



VIEW-A-A

	Approved/Released for Fabrication/Construction
	Approved/Released for Fabrication/Construction Subject to Incorporation of Comments, Modification as Noted. Revised Drawing Required.
	To Be Resubmitted for Approval after Incorporating the Comments.
	For Information & Record.
	Not Approved.
Power Grid Corporation of India Ltd. DMS Department, Guwahati (ARUNACHAL)	

NOTE:-

1. ALL DIMENSIONS ARE IN MM UNLESS OTHERWISE MENTIONED.
2. AGGREGATES OF SIZE <80MM (LARGE SIZE AS PER TABLE-3 OF IS:38)

FOUNDATIOON

*note ① This approval of pole is for foundation only
 ② pole casting shall be approved separately.*

[Signature]

RD	08/08/2017	SUBMITTED FOR APPROVAL	ADITYA BHATT	SANDEEP KR.	R R R PATEL
REVISION	DATE	DESCRIPTION	DRAWN BY	CHECKED BY	APPROVED BY

LOA NO.	CC-CS/100-NER/NEW-2008/3/08/NOA-1/7180 Dtd. 02-Mar-2017(For Supply) CC-CS/100-NER/NEW-2008/3/08/NOA-1/7181 Dtd. 02-Mar-2017(For Erection)
OWNER	Govt. of Arunachal Pradesh
CLIENT	POWER GRID CORPORATION OF INDIA LIMITED
CONTRACTOR	TATA PROJECTS LIMITED 14 FLOOR, TOWER-1 OKAYA CENTER, B-5, SECTOR-42 NOIDA-201301, U.P.
PROJECT	PACKAGE-ARP-DMS-01/A FOR DISTRIBUTION WORKS UNDER COMPREHENSIVE SCHEMES FOR STRENGTHENING OF TRANSMISSION & DISTRIBUTION SYSTEM IN NER & SIKKIM-INTRA STATE-ARUNACHAL PRADESH.
DESCRIPTION	FOUNDATION DETAILS OF 12MTR STP POLE